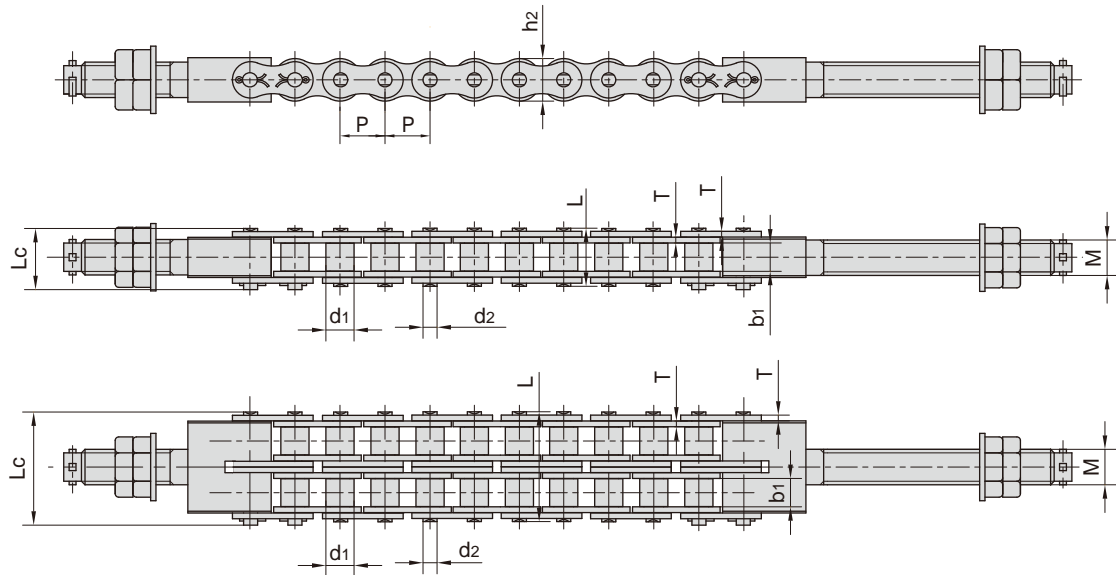


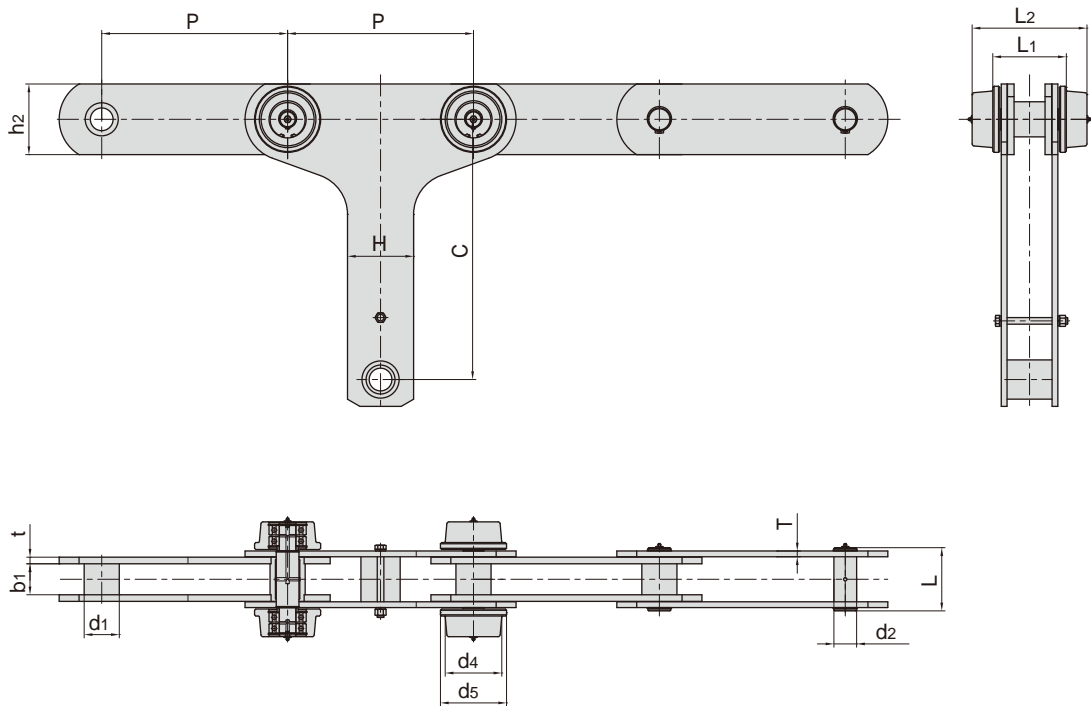
停车库链条 Car parking chains



东华链号 Donghua Chain No.	节距	滚子直径	内节内宽	销轴直径	销轴长度		内链板高度	链板厚度	螺栓规格	抗拉强度	平均抗拉强度	每米长重
	Pitch	Roller diameter	Width between inner plates	Pin diameter	Pin length		Inner plate depth	Plate thickness	Bolt type	Tensile strength	Average tensile strength	Weight per meter
	P	d1 max	b1 min	d2 max	L max	Lc max	h2 max	T max	M	Q min	Q0	q
	mm	mm	mm	mm	mm	mm	mm	mm	mm	kN/lbf	kN	kg/m
16ALT-1	25.40	15.88	15.75	7.92	32.7	36.5	24.0	3.25	M20	71.55/16261	81.8	2.60
16ALT-2	25.40	15.88	15.75	7.92	62.7	65.8	24.0	3.25	M20	143.10/32523	166.3	5.15
20ALT-1	31.75	19.05	18.90	9.53	40.4	44.7	30.0	4.00	M24	107.85/24511	118.6	3.91
20ALT-2	31.75	19.05	18.90	9.53	76.4	80.5	30.0	4.00	M24	215.70/49023	234.4	7.80
20ALT-3	31.75	19.05	18.90	9.53	112.2	116.3	30.0	4.00	M24	323.55/73534	351.6	11.77
24ALT-1	38.10	22.23	25.22	11.10	50.3	54.3	35.7	4.80	M30	149.20/330909	161.1	5.62
24ALT-2	38.10	22.23	25.22	11.10	95.8	99.7	35.7	4.80	M30	298.40/67818	322.2	11.70

停车库链条

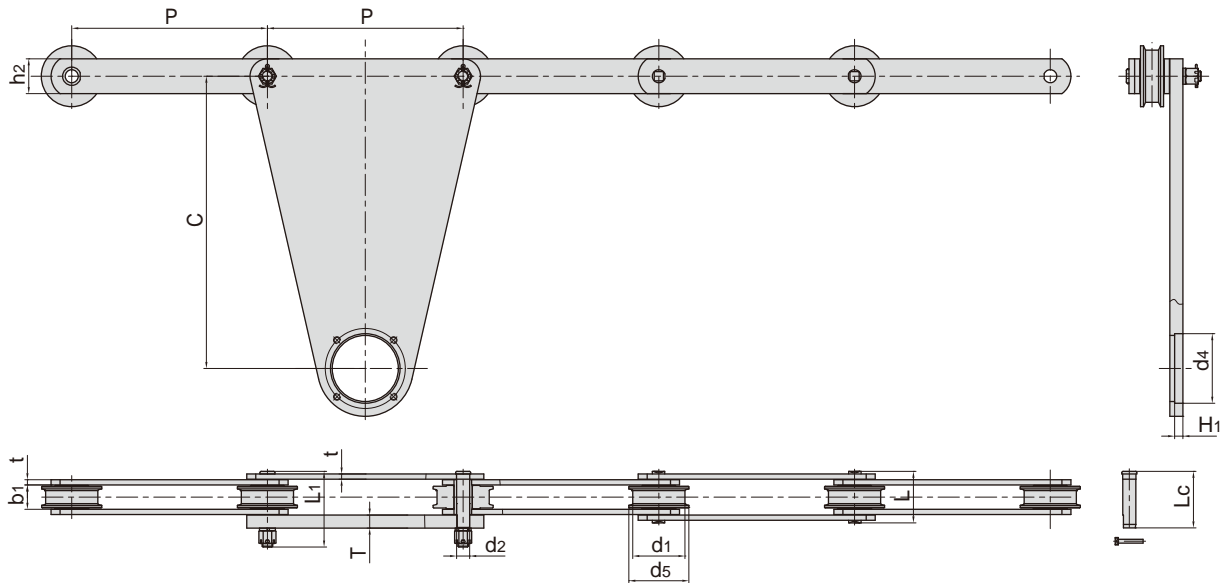
Car parking chains



东华链号 Donghua Chain No.	节距	套筒直径	滚子直径		内节内宽	销轴直径	销轴长度	链板高度	链板厚度	附件尺寸				抗拉强度
	Pitch	Boush diameter	Roller diameter		Width between inner plates	Pin diameter	Pin length	Plate depth	Plate thickness	Attachment dimension				Tensile strength
	p	d1 max	d4 min	d5 min	b1	d2 max	L max	h2	t/T	C	H	L1	L2	Q min
	mm	mm	mm	mm	mm	mm	mm	mm	mm	mm	mm	mm	mm	kN/lbf
P450F1	450.0	85.0	137.0	158.0	75	55	153	171	16/14	630	160	178	278	1800/404640
P450F2	450.0	85.0	136.5	180.0	75	55	174	171	16/14	675	170	166	282	1764/396547
P450F4	450.0	85.0	136.5	180.0	75	55	174	171	16/14	630	160	166	282	1764/396547

停车库链条

Car parking chains



东华链号 Donghua Chain No.	节距	滚子直径		内节内宽	销轴直径	销轴长度			链板高度	链板厚度	附件尺寸			抗拉强度
	Pitch	Roller diameter		Width between inner plates	Pin diameter	Pin length			Plate depth	Plate thickness	Attachment dimension			Tensile strength
	p	d1 max	d5 min	b1	d2 max	L max	Lc max	L1 max	h2	t/T	C	d4	H1	Q min
	mm	mm	mm	mm	mm	mm	mm	mm	mm	mm	mm	mm	mm	kN/lbf
P450F5	450	120	138	56	30	120	130.0	174.0	80	12.0/30.0	672	160.0	19	450.0/101160
P450F6	450	120	140	84	36	150	159.0	210.0	100	12.0/30.0	672	160.0	19	800.0/179840
P450F13	450	120	140	84	36	150	159.0	210.0	100	12.0/30.0	675	135.0	13	800.0/179840
*P460F1	460	118	138	51	36	-	134.5	173.5	90	14.0/20.0	665	110.4	-	650.0/146120
P460F2	460	120	140	84	36	150	159.0	202.0	100	12.0/25.0	675	135.0	13	800.0/179840
P460F3	460	130	144	60	36	126	135.0	185.0	100	12.0/30.0	650	110.0	-	800.0/179840
P460F5	460	100	119	55	30	118	130.0	160.0	75	12.0/20.0	570	107.0	-	650.0/146120

*滚轮内带轴承
*With bearing inside roller